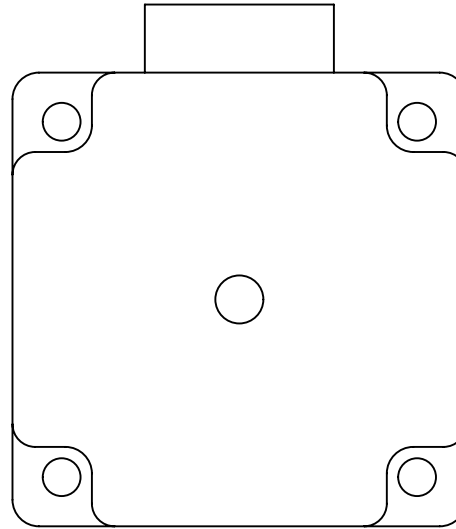


Print out this full scale drawing of the rear view of the motor on A4 sheet and align with your motor to confirm the outline and dimensions of your motor. The 60mm covers were designed to fit stepper motors having the below dimensions and outline.

Use the scale below to confirm the scale of the printed drawing.



Note: Make sure the "Page Scaling" under the PDF printing options is set to "None"